



TRU-BLU **K9000**[®] COMPACT From \$12,000 +GST

Compact Coin Operated Dog Wash

- Smaller footprint for sites that have space challenges
- High grade stainless steel construction, built to highest standards
- Cashless card/FOB start options available
- Onboard Hot Water options
- Hair free non slip floor
- Rotary Dial user control
- Two speed Blow Dryer
- 2 x Soap dispensing pumps (options for additional pumps)
- Great Promotional Tool



SUITED TO

- Caravan Parks ✓
- Apartment Complexes ✓
- Retirement Village Communities ✓

QUALITY, RELIABILITY, PROFIT. LET'S GET YOUR TAIL WAGGING!



PRICING

K9000® Compact Coin operated Dogwash	\$12,000
Onboard 25L Hot Water System	\$1050
Additional product dispensing Pump	\$600
High Security Kit inc locks and lock boxes	\$320
Waste Transfer Pump	\$1100
Nayax Credit Card Terminal	\$950 (additional fees apply)
Freight- Delivered to site, over the phone commissioning	\$TBA



FIND US @



@k9000Dogwash



K9000Dog Wash



K9000dogwash.com

K9000® COMPACT TECHNICAL INFORMATION

TECHNICAL REQUIREMENTS

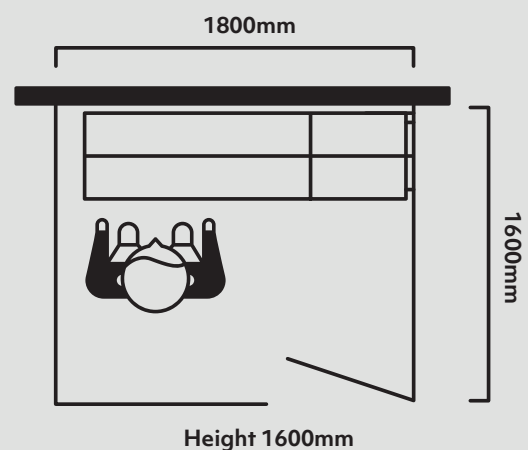
POWER (No onboard hot water- site supplied)	~220-240V	10 AMP
POWER (Onboard hot water)	~220-240V	25 AMP
WATER	40 psi (min) 1/2" Ball Valve	
WASTE	50 mm Diameter Outlet	
WEIGHT	170 Kg	

WARRANTY: 12 months, extended to 24 months when using soap products purchased from TruBlu.

DISPATCH: 2-4 weeks from receipt of deposit.

TERMS: 20% deposit, balance due before dispatch.

TYPICAL SITE REQUIREMENTS



For more information contact us on **03 5562 9088** or email info@trubludogwash.com.au